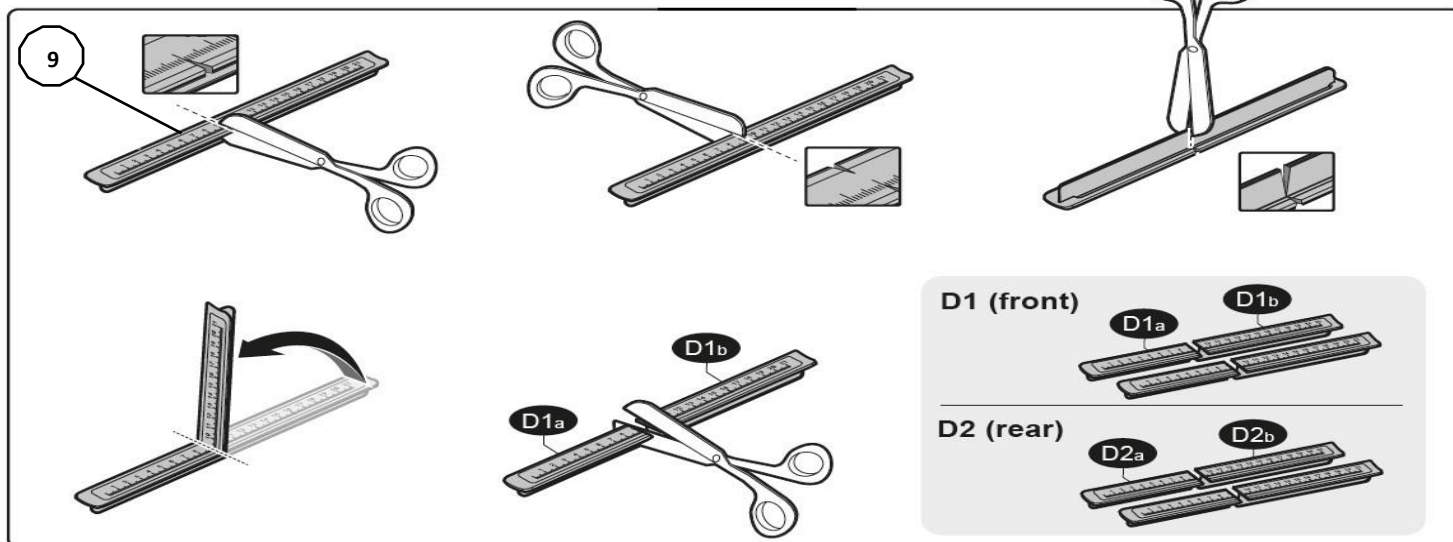
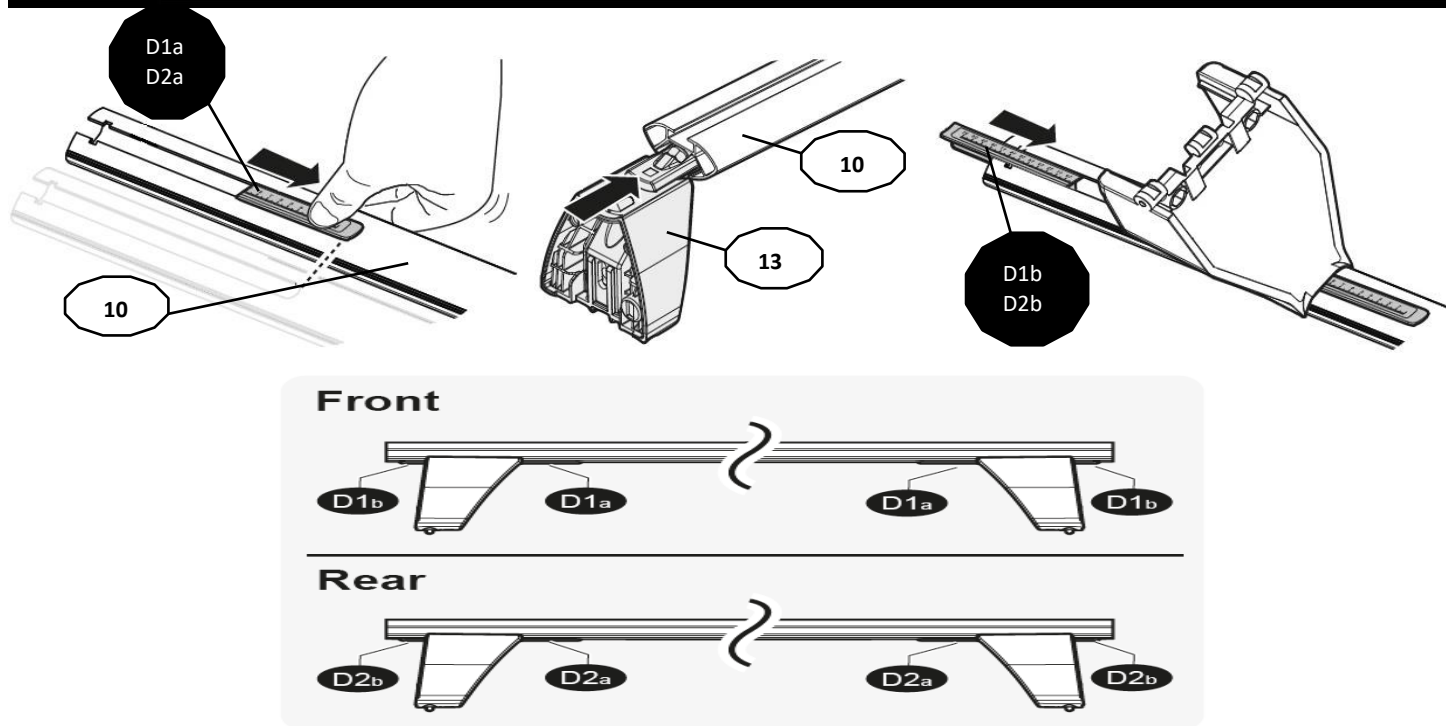


1

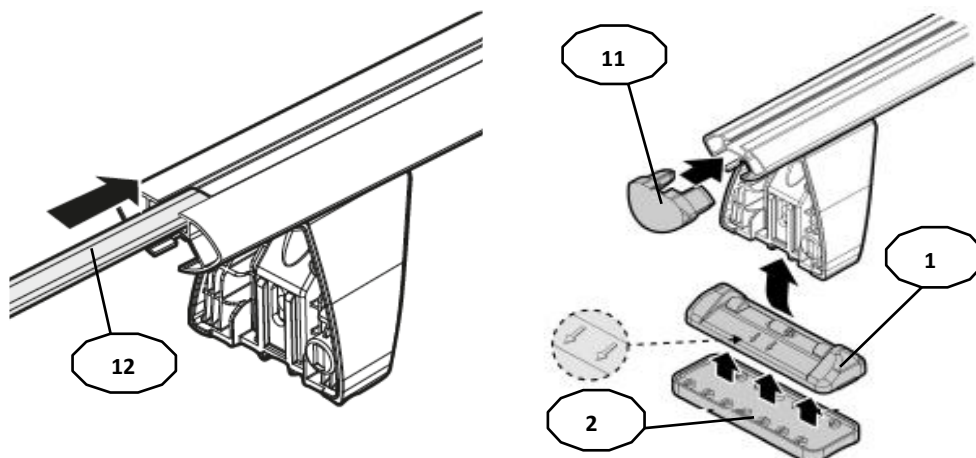


MANUFACTURER	MODEL CAR	DOORS	MODEL YEAR	D1	D2
PEUGEOT	206	3	98>09	6,6	5,0
PEUGEOT	206 Plus	3	09>12	6,6	8,0

2

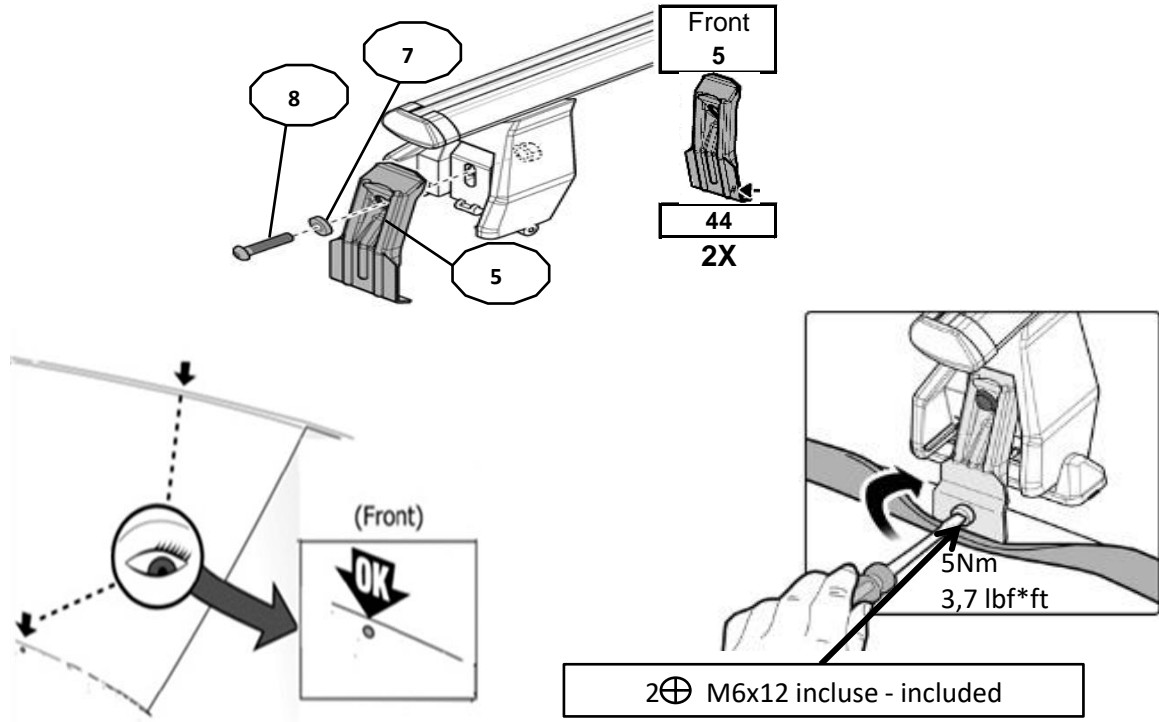


3

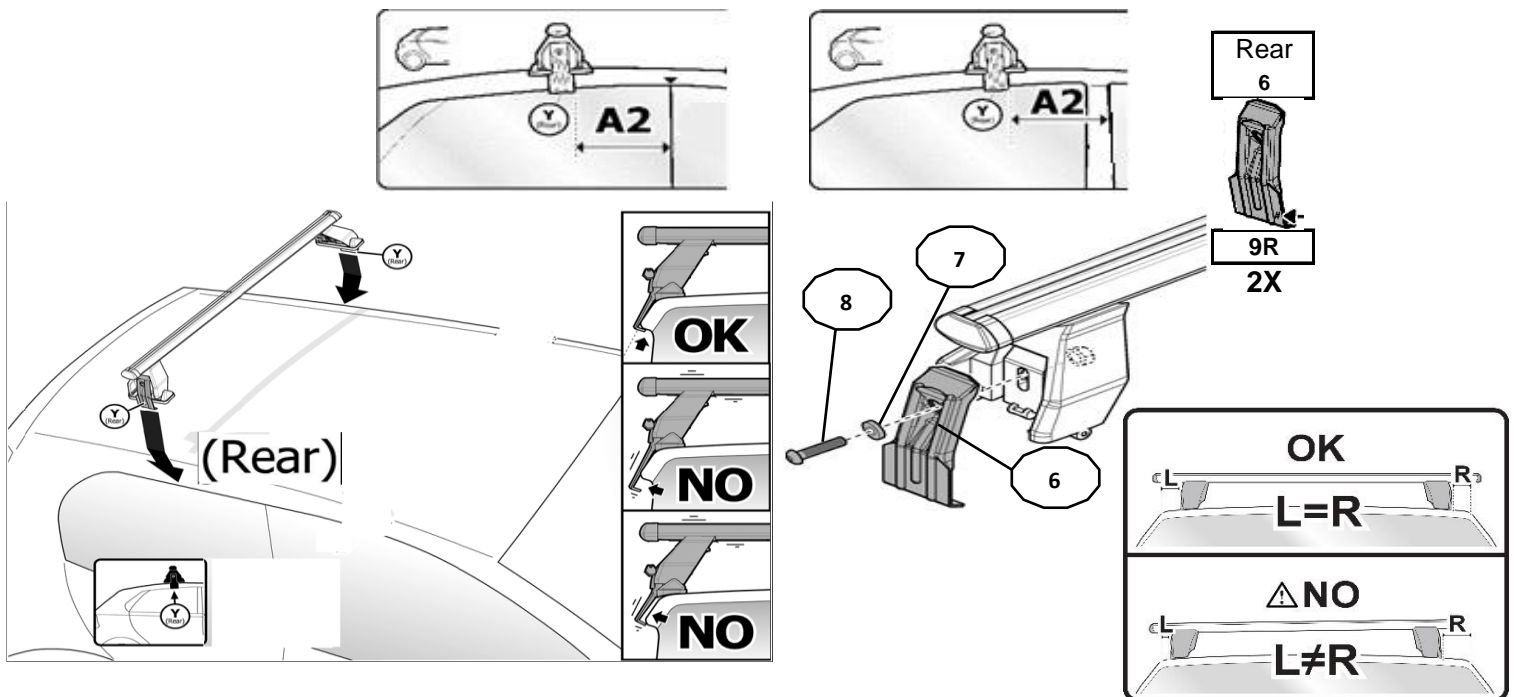


x4

FRONT



REAR



MANUFACTURER	MODEL CAR	DOORS	MODEL YEAR	A1	A2	A1	A2
				cm	cm	in	in
PEUGEOT	206	3	98>09		X		X
PEUGEOT	206 Plus	3	09>12		X		X

X = predisposizione originale /original arrangement