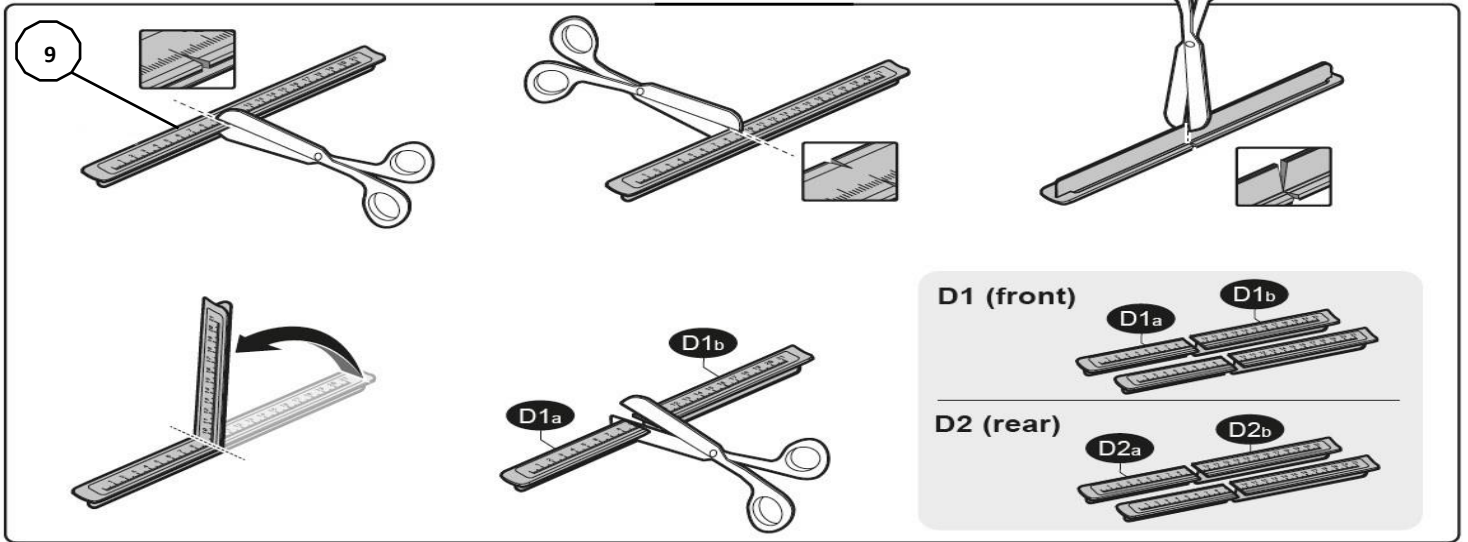


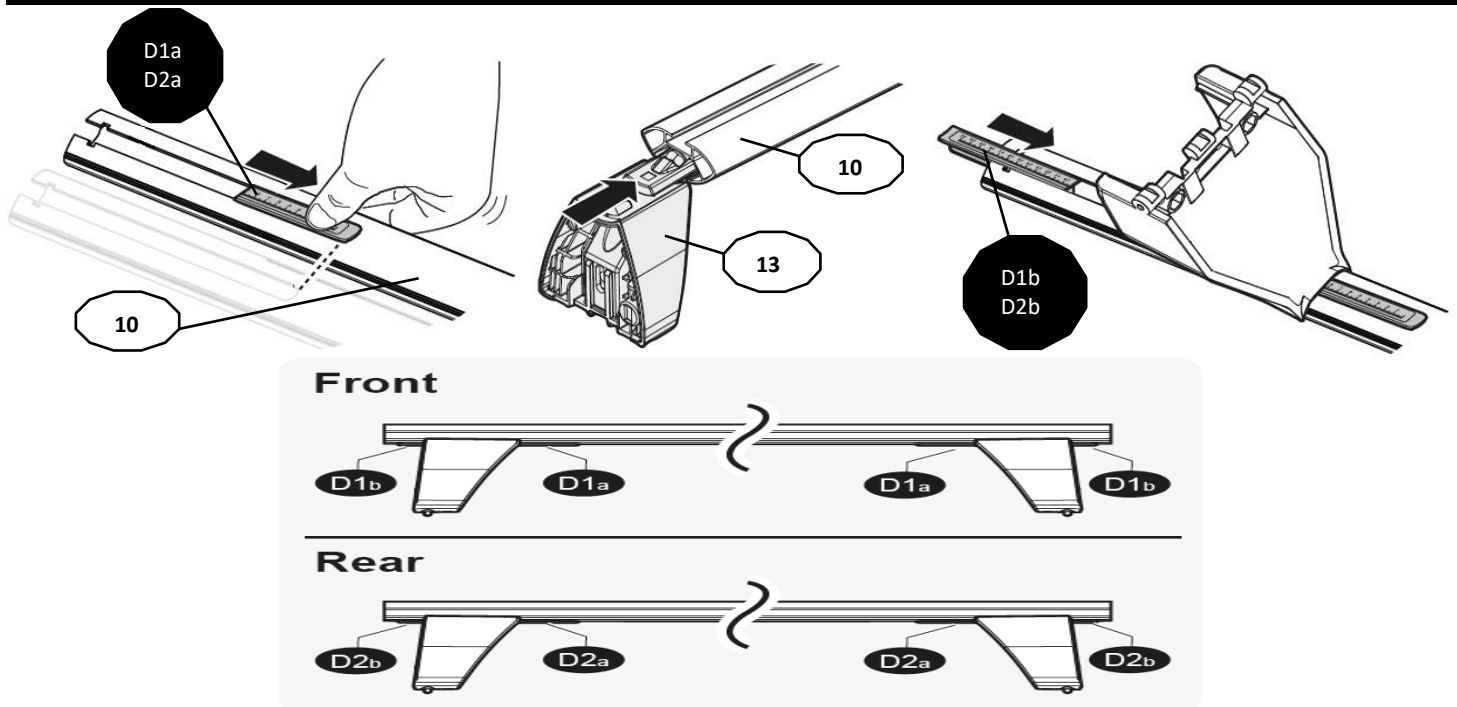


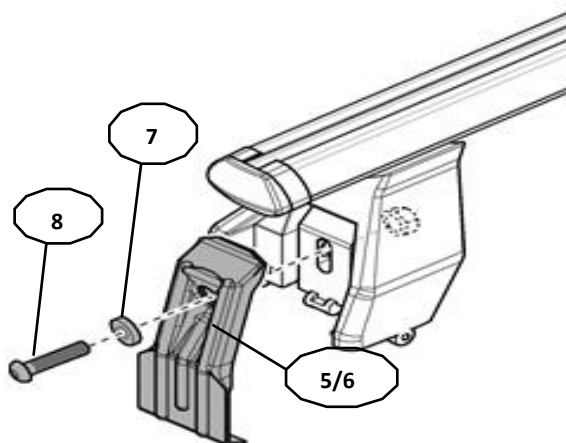
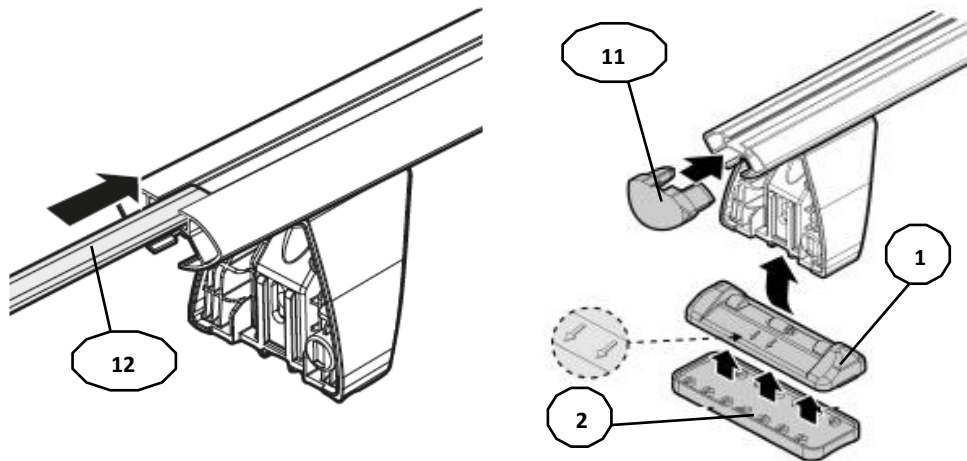
1



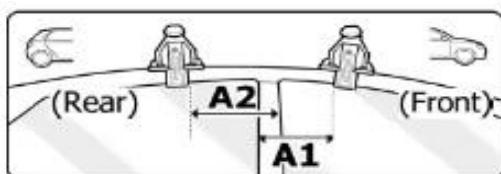
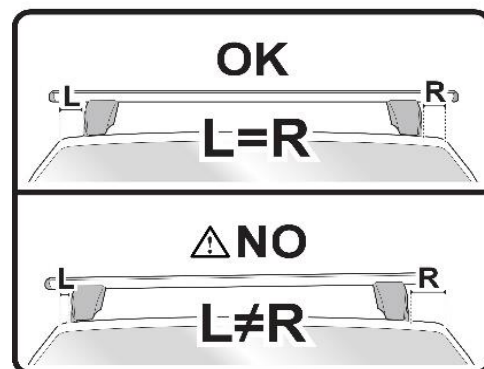
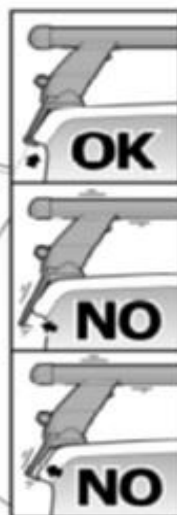
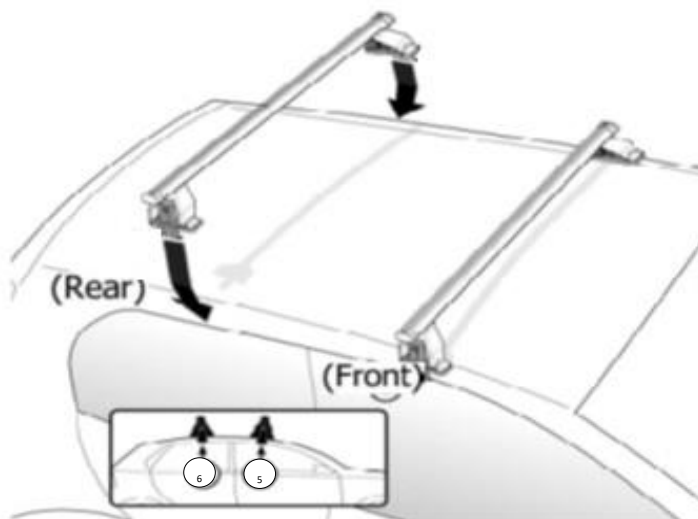
MANUFACTURER	MODEL CAR	DOORS	MODEL YEAR	D1	D2
SMART	Forfour (W453)	5	14>	4,4	1,2

2

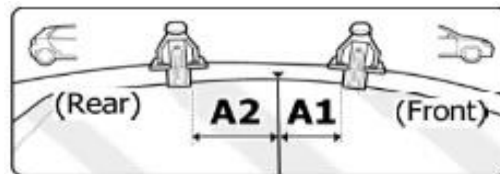




Front 5	Rear 6
14 2X	21R 2X



OR



MANUFACTURER	MODEL CAR	DOORS	MODEL YEAR	A1 cm	A2 cm	A1 in	A2 in
SMART	Forfour (W453)	5	14>	30	46	11,8	18,1

X = predisposizione originale /original arrangement